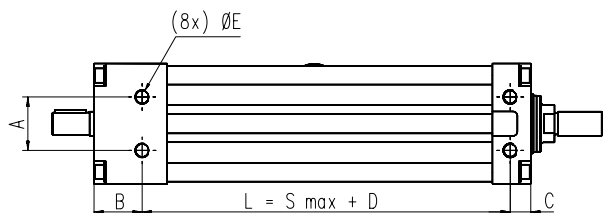




## Options and Accessories

### Mounting

#### Mounting Holes - Standard Feature on All Units (ordering code X)

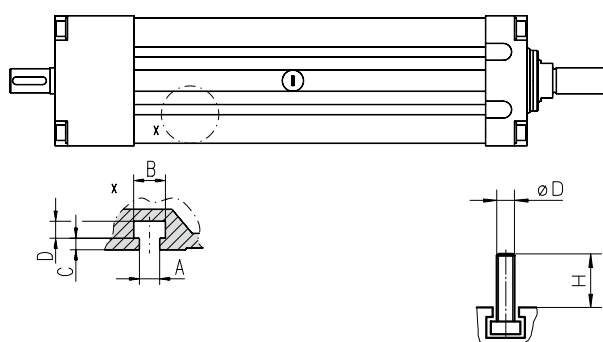


All T and ECT models have mounting holes as standard. However, if mounting feet type F are used, these holes will be occupied by the attachment screws for the feet. Note: The distances "B" and "D" can be different depending on the diameter or lead of the unit screw.

	A	B	C	D	E
T60	46	34,5	14	124,5 <sup>1</sup> / 146,5 <sup>2</sup>	M8 × 10
T90 / ECT90	45	39 <sup>1</sup> / 48 <sup>2</sup>	15	141 <sup>3</sup> / 167 <sup>4</sup>	M12 × 18
T130 / ECT130	60	54	23	216	M16 × 28

<sup>1</sup> T06-B2505, T06-B2525    <sup>2</sup> T06-B2510, T06-B2550    <sup>3</sup> T09-B25, ECT09-B xxxxxxxx25    <sup>4</sup> T09-B32, ECT09-B xxxxxxxx32

#### T-slots and T-slot Bolts - Standard Feature on All Units



The T60, T90, T130, ECT90 and ECT130 models all have T-slots running along the entire profile. T60 has two T-slots (one on each side), while the other models have four (two on each side). Suitable T-slot bolts can be ordered using the part numbers in the table below.

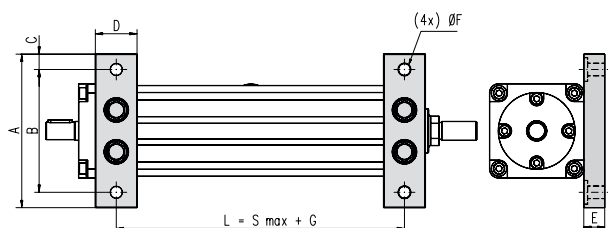
	A	B	C	D
T60	21,8	26,4	2,55	3,4
T90 / ECT90	6,4	10,5	3,5	4,5
T130 / ECT130	10,5	16,5	6,0	9,0

	Ø D	H	p/n
T60	M5	14	D312 221
T90 / ECT90	M6	18	D310 314
T90 / ECT90	M6	26	D310 311
T130 / ECT130	M10	28	D800 089

## Options and Accessories

### Mounting

#### Fixed Mounting Feet (ordering code F)

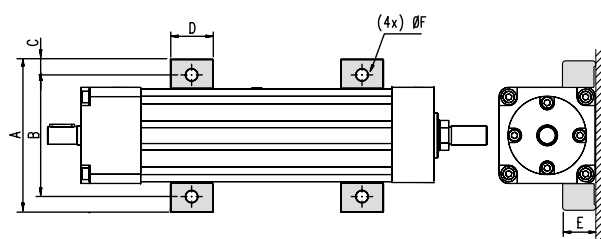


The fixed mounting feet are available for units type T90, ECT90, T130 and ECT 130 only. This option can be mounted on the unit from the factory if stated in the ordering key at order, or can be ordered separately using the part number. When ordered separately, all necessary screws to attach the feet are included. Note: The distance "G" can be different depending on the screw diameter of the unit.

	A	B	C	D	E	F	G	p/n
T90 / ECT90	155	125	15	40	20	13	141 <sup>1</sup> / 162 <sup>2</sup>	D606 225
T130 / ECT130	220	176	22	60	30	17	216 /	D606 157

<sup>1</sup> T09-B25, ECT09-B xxxxxxxx 25    <sup>2</sup> T09-B32, ECT09-B xxxxxxxx 32

#### Movable Mounting Feet Clamps (ordering code F)



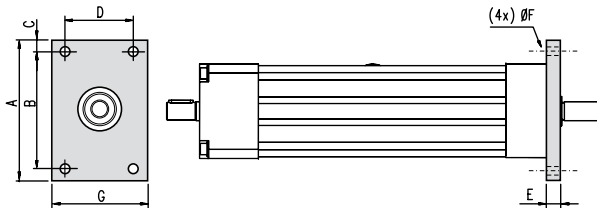
The movable mounting feet clamp accessory is only available for T60 units. This option can be mounted on the unit from the factory if stated in the ordering key at order, in which case you get four clamps, or they can be ordered as separate pieces using the part number. Normally you would need four clamps per unit. The clamps fit into the T-slot running along each side of the unit.

	A	B	C	D	E	F	p/n
T60	109	87	9,7	25	20,8	6,5	D313 618

## Options and Accessories

### Mounting

#### Front Mounting Plates type (ordering code G)



The front mounting plates must be mounted from the factory as a part of the assembly of the unit and cannot be mounted afterwards by the customer.

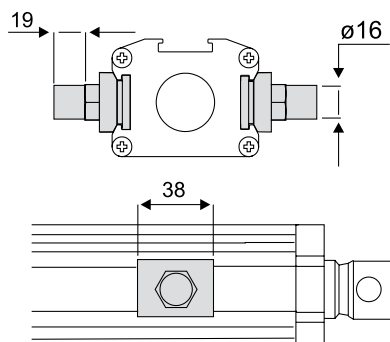
	A	B	C	D	E	F	G	p/n
T60	120	100	10	56	14	7	75	D606 359
T90 / ECT90	150	126	12	72	16	9	95	D606 360
T130 / ECT130	205	180	12,5	110	20	11	140	D606 361

## Options and Accessories

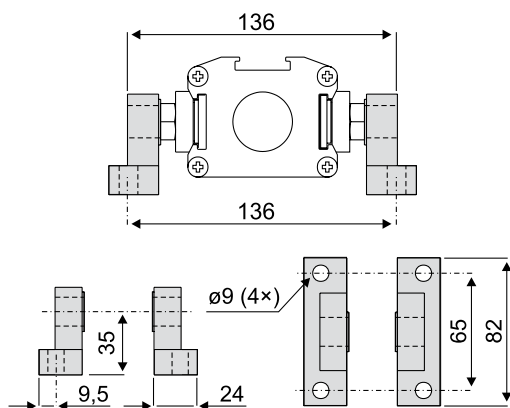
### Mounting

#### Trunnion type (ordering code T)

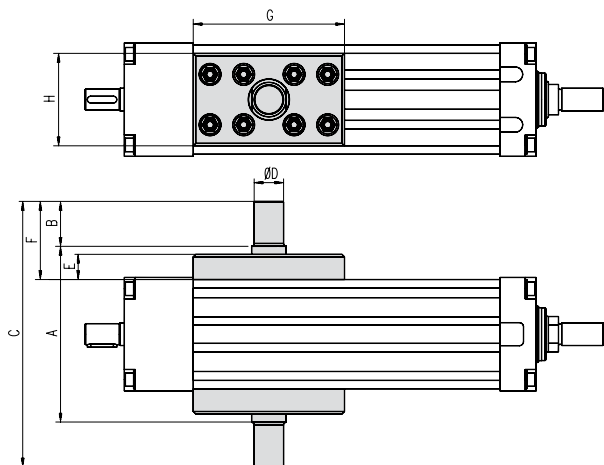
##### Trunnion kit for T60



##### Trunnion bracket kit for T60



##### Trunnion kit for T90, T130, ECT90, ECT130



The trunnion option can be mounted on the unit from the factory if this is stated in the ordering key at order, or be ordered separately using the part number. When ordered separately, all necessary screws to attach the trunnions to the unit are included. The position along the profile can be adjusted freely by the customer. A trunnion bracket kit is available for T60, which is ordered separately.

	p/n
T60 trunnion kit	D603 022
T60 trunnion bracket kit	D603 030
T90 / ECT90 trunnion kit	D606 030
T130 / ECT130 trunnion kit	D606 155

	A	B	C	D	E	F	G	H
T90 / ECT90	150	45	240	20f8	25	75	130	80
T130 / ECT130	210	53	316	35f8	30	93	180	110